

2 Specifications SimFlex Smedegaard

2.1 SimFlex Smedegaard 15/25 - 40

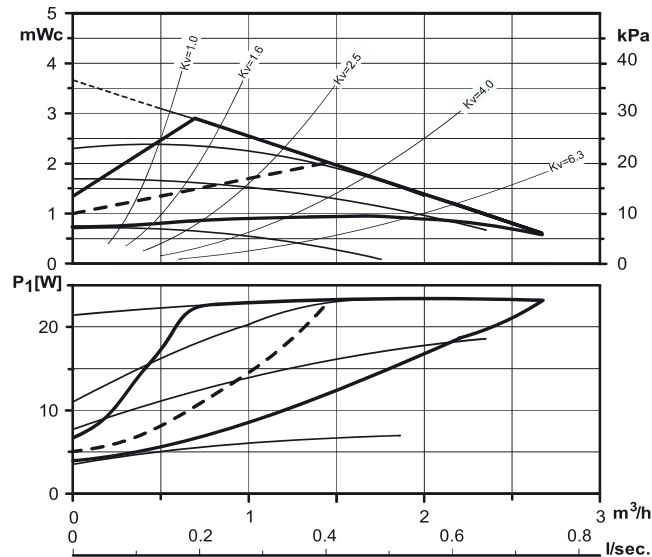
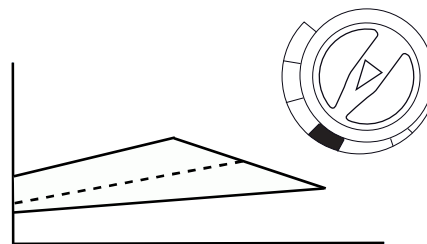


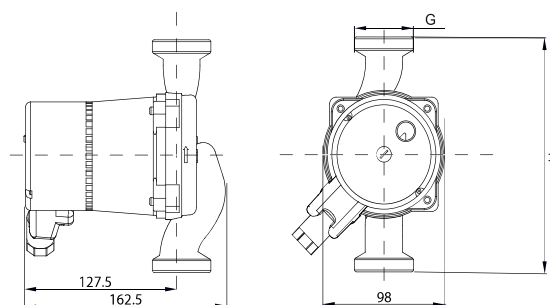
Table 1: General data

Voltage [V]	1 x 230
Max. ambient temp. [°C]	40
Min. temp. liquid [°C]	2
Max. temp. liquid @ 40°C ambient	95
NPSH req. [bar]	80°C-0,5 / 95°C-1,5
Sound pressure [dBa]	40
Motor protection	yes
Failure contact	no
Mass [kg]	2,8

Table 2: Settings



Model	Power range [W]	Current range [A]	Connection	Free passage	Material casing	Length casing (H) [mm]	Part number
15-40C	4 - 23,1	0,05 - 0,23	G 1	DN15	JL1030	130	SME0211540400
25-40C	4 - 23,1	0,05 - 0,23	G 6/4	DN25	JL1030	130	SME0222540400
25-40C	4 - 23,1	0,05 - 0,23	G 6/4	DN25	JL1030	180	SME0022540400
25-40N	4 - 23,1	0,05 - 0,23	G 6/4	DN25	1.4301	180	SME0022540800



2.2 SimFlex Smedegaard 15/25 - 60

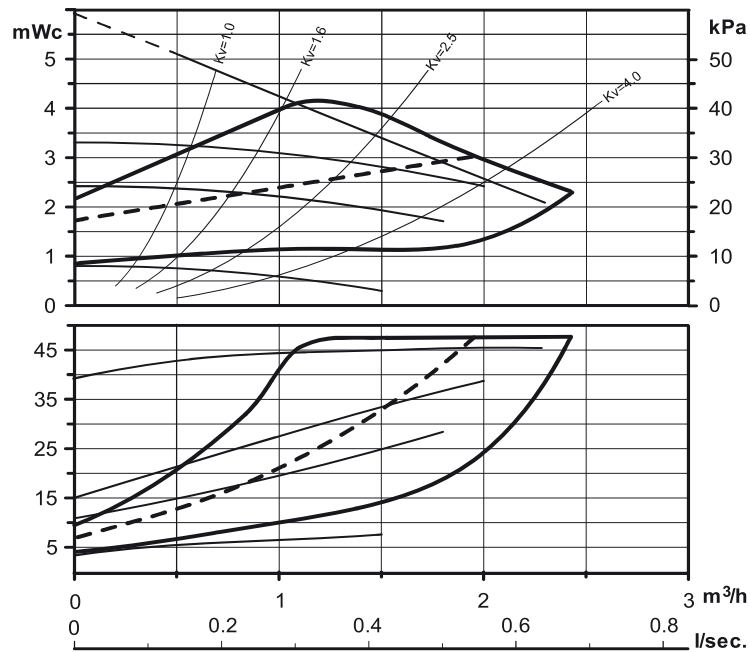
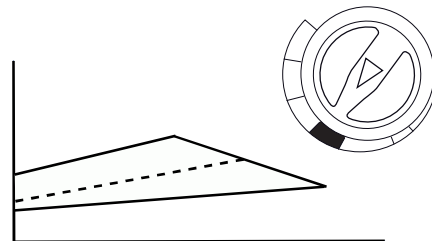


Table 3: General data

Voltage [V]	1 x 230
Max. ambient temp. [°C]	40
Min. temp. liquid [°C]	2
Max. temp. liquid @ 40°C ambient	95
NPSH req. [bar]	80°C-0,5 / 95°C-1,5
Sound pressure [dBa]	40
Motor protection	yes
Failure contact	no
Mass [kg]	2,8

Table 4: Settings



Model	Power range [W]	Current range [A]	Connection	Free passage	Material casing	Length casing (H) [mm]	Part number
15-60C	4 - 47,1	0,05 - 0,48	G 1	DN15	JL1030	130	SME0211560400
25-60C	4 - 47,1	0,05 - 0,48	G 6/4	DN25	JL1030	130	SME0222560400
25-60C	4 - 47,1	0,05 - 0,48	G 6/4	DN25	JL1030	180	SME0022560400
25-60N	4 - 47,1	0,05 - 0,48	G 6/4	DN25	1.4301	180	SME0022560800

